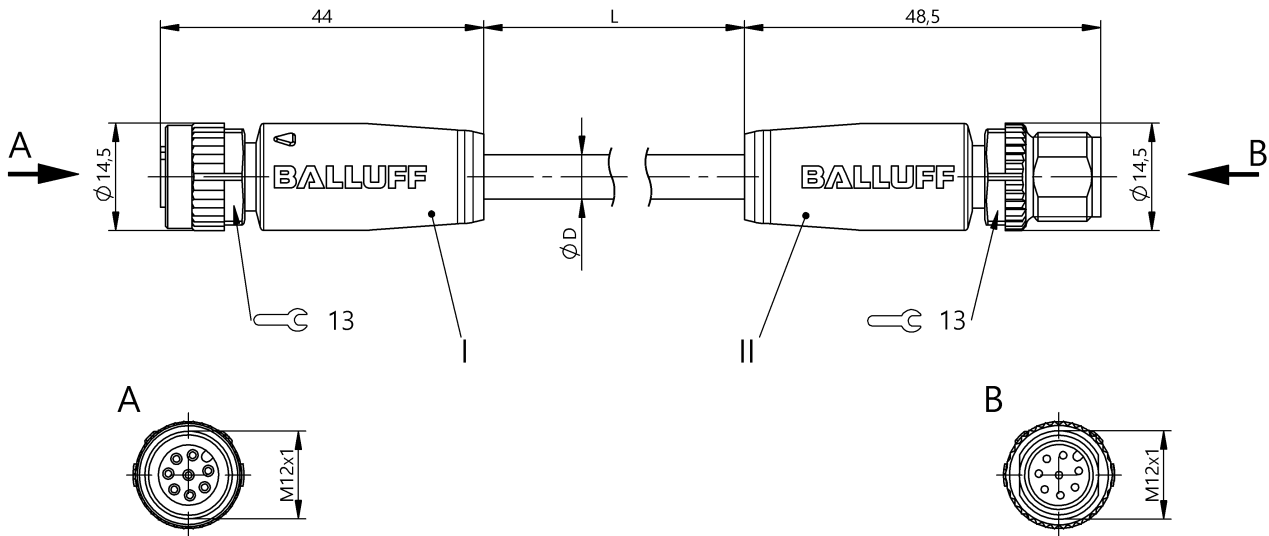


Double-Ended Cordsets  
**BCC M418-M418-3A-342-PX0825-050**  
**Order Code: BCC0AC5**

**BALLUFF**



**Basic features**

|                     |                     |
|---------------------|---------------------|
| Approval/Conformity | CE<br>cULus<br>WEEE |
|---------------------|---------------------|

**Electrical connection**

|                                     |  |
|-------------------------------------|--|
| Bending radius min., fixed cable    | 5 x D                                  |
| Bending radius min., flexible cable | 10 x D                                 |
| Cable                               | PUR black, 5 m, drag chain compatible  |
| Cable diameter D                    | 6.00 mm ±0.20 mm                       |
| Cable, bending cycles min.          | 2 mil.                                 |
| Conductor cross-section             | 0.25 mm <sup>2</sup>                   |
| Connection 1                        | M12x1-Female, straight, 8-pin, A-coded |
| Connection 2                        | M12x1-Male, straight, 8-pin, A-coded   |
| Number of conductors                | 8                                      |
| System                              | Molded/Molded                          |

**Electrical data**

|                                  |                 |
|----------------------------------|-----------------|
| Operating voltage U <sub>b</sub> | 30 VDC / 30 VAC |
| Rated current (40 °C)            | 2.0 A           |

**Remarks**

Cable construction acc. to UL-AWM Style 20549  
 Halogen-free per DIN VDE 0472 Part 815  
 Silicone-free  
 Flame-retarding acc. to IEC 60332-2  
 Enclosure rating per IEC 60529 or 20653, only in screwed state with the associated mating piece.

**Environmental conditions**

|                                     |                                     |
|-------------------------------------|-------------------------------------|
| Cable temperature, drag chain       | -25...60 °C                         |
| Cable temperature, fixed routing    | -50...80 °C                         |
| Cable temperature, flexible routing | -25...80 °C                         |
| IP rating                           | IP67, IP68, IP69K/IP67, IP68, IP69K |

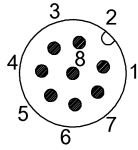
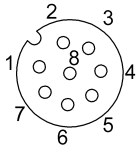
**Material**

|                          |                             |
|--------------------------|-----------------------------|
| Cable jacket, material   | PUR                         |
| Material contact carrier | PUR/PUR                     |
| Material contacts        | Bronze/Brass                |
| Material cover nut       | Die-cast zinc/Die-cast zinc |
| Material grip            | PUR/PUR                     |

**Mechanical data**

|   |                       |
|---|-----------------------|
| Acceleration max., drag chain           | 5 m/s <sup>2</sup>    |
| Cable jacket, color                     | black                 |
| Cable length L                          | 5.00 m                |
| Cable properties                        | drag chain compatible |
| Horizontal travel permitted, drag chain | 5 m                   |
| Tightening torque pigtail               | 0.6 Nm/0.6 Nm         |
| Traverse speed max., drag chain         | 200 m/min             |
| Vertical travel permitted, drag chain   | 2 m                   |

## Connector Drawings



- |               |               |
|---------------|---------------|
| PIN 1: white  | PIN 1: white  |
| PIN 2: green  | PIN 2: green  |
| PIN 3: yellow | PIN 3: yellow |
| PIN 4: gray   | PIN 4: gray   |
| PIN 5: brown  | PIN 5: brown  |
| PIN 6: pink   | PIN 6: pink   |
| PIN 7: blue   | PIN 7: blue   |
| PIN 8: red    | PIN 8: red    |

## Wiring Diagrams

